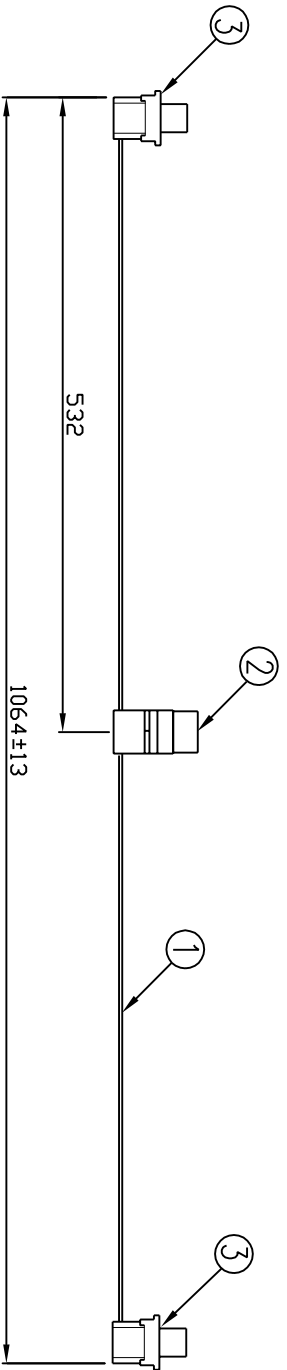
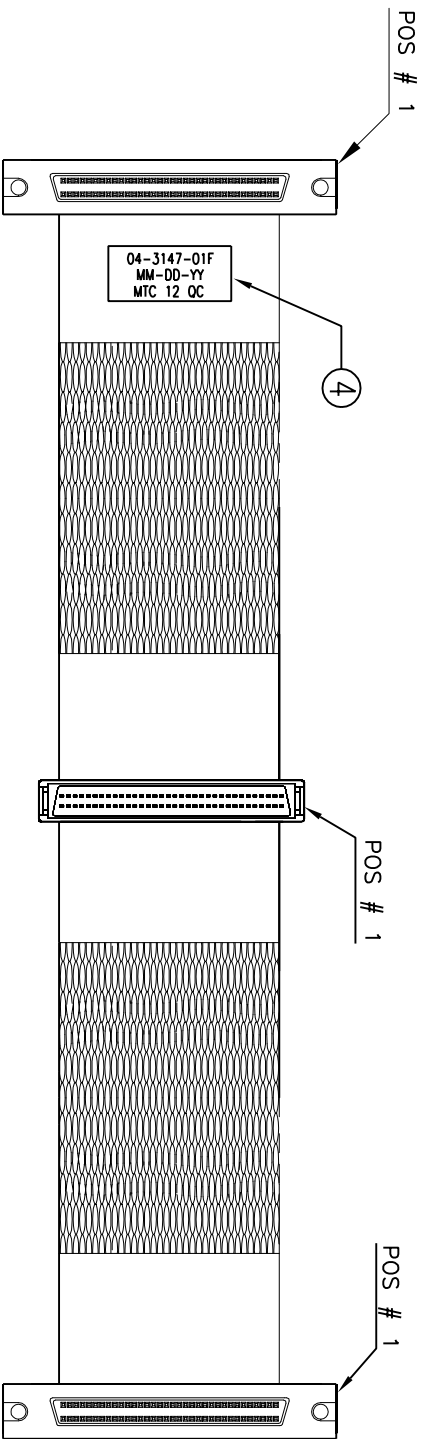


# CUSTOMER DRAWING

SYM.		ECN No.	DESCRIPTION	DATE	APPROVED
A			MASS PRODUCTION	03/10/2005	Sammy



ITEM	PART NUMBER	DESCRIPTION	Q'TY	APPROVALS	DATE	TITLE	SCALE N.A.	PART NO.	DRAWING NO.	REV.
4	B918011*30048	LABEL 11*30mm WHITE	1	DRAWN Sammy	03/10/2005	ULTRA 320 SCSI CABLE ASS'Y 68POS/M TO 68POS/F	SHEET 1 OF 1	T108061680507	T108061680507	A
3	B23168001230112	SCSI-2 68POS FEMALE MATEL PLASTIC G/F	2	CHECKED						
2	B23168000000112	SCSI-2 68POS MALE PLASTIC G/F	1	APPROVED						
1	1MOT-ZSDT-34P-133	ULTRA320 #30 34PAIR 133SPAN SOLID TPO HITACHI	A/R							
			Q'TY							

**TC&C Electronics Co.,Ltd**