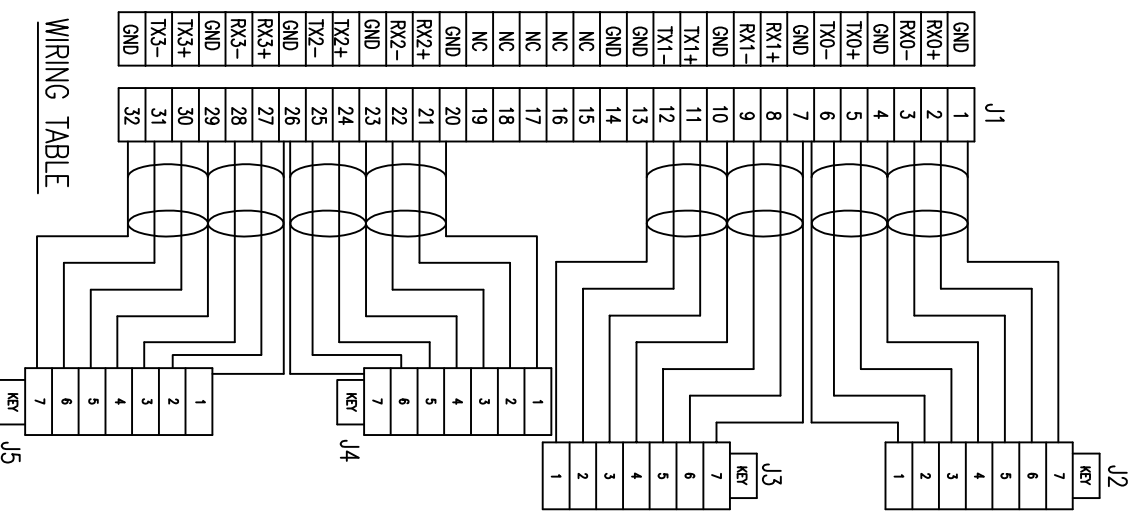
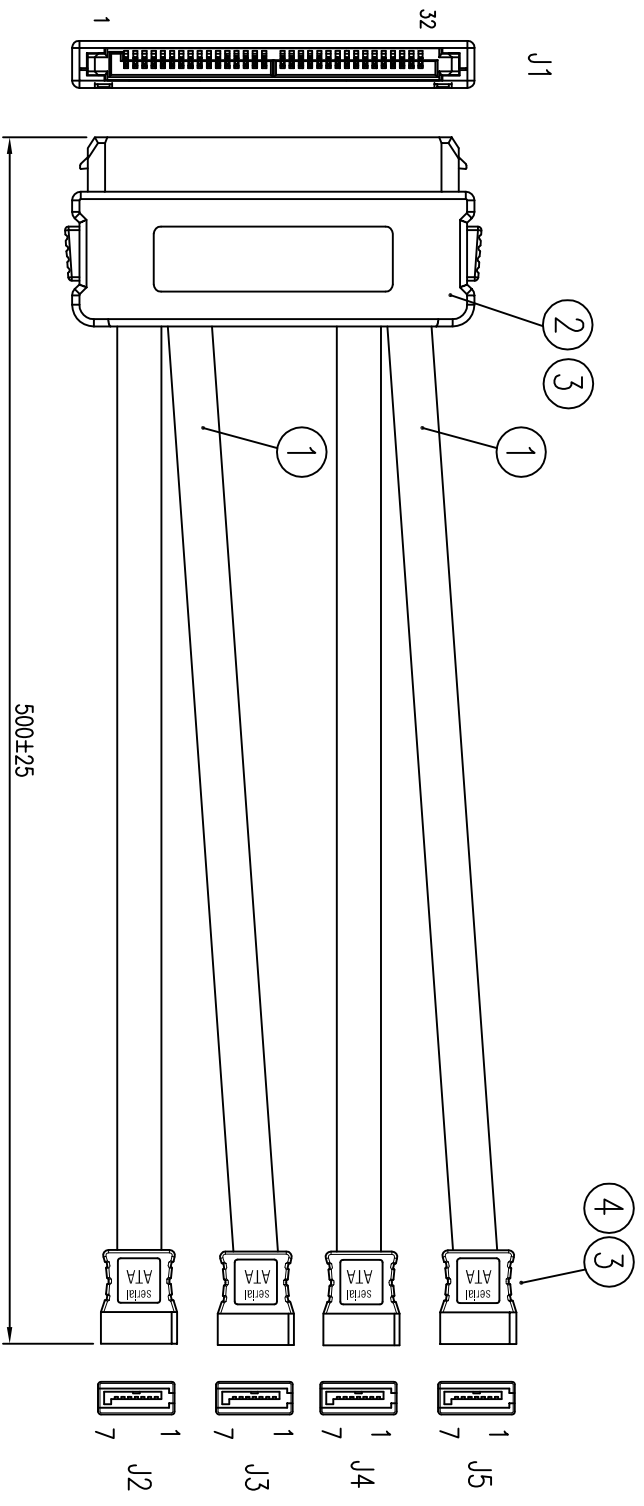


CUSTOMER DRAWING

SYMBOL		EQUIPMENT NO.		DESCRIPTION		DATE		APPROVED	
A				MASS-PRODUCTION	08/29/2006	J00NA			



WIRING TABLE

ITEM	PART NUMBER	DESCRIPTION	Q'TY
2	T504933228110N0	SAS 32P(FEMALE) SHIELDING-UP	2
2	T504903210200N0	SAS 32P-RECEPTACLE(SOLDER TAPY VERTICAL)(CABLE) OVERMODEL	2
1	T107048070592	T504813013030N6 SERIAL AIA 7POS RECEPTACLE 3U"(180°) FOR SIGNAL CABLE T60-11M-855 SERIAL AIA CABLE 4COND(#26*2PRS+SHIELDED)RED LEAD FREE B440450161 OVERMOLD,HOOD,BLACK	A/R

APPROVALS		DATE
DRAWN	J00NA	08/29/2006
CHECKED		
APPROVED		

TC&C Electronics Co.,Ltd			
TITLE INTERNAL CABLE ASS'Y SAS 32POS/F TO SERIAL AIA 7POS/F			
SCALE N.A.	PART NO.	DRAWING NO.	REV.
SHEET 1 OF 1	T107049320606	T107049320606	A
CUSTOMER PART NO.			A186

