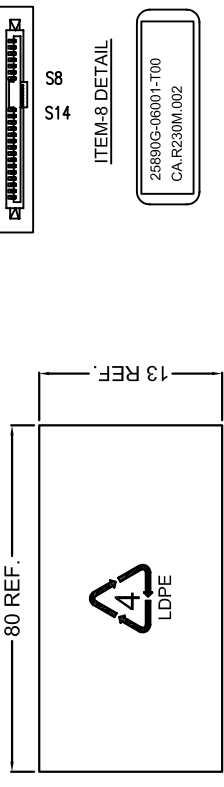
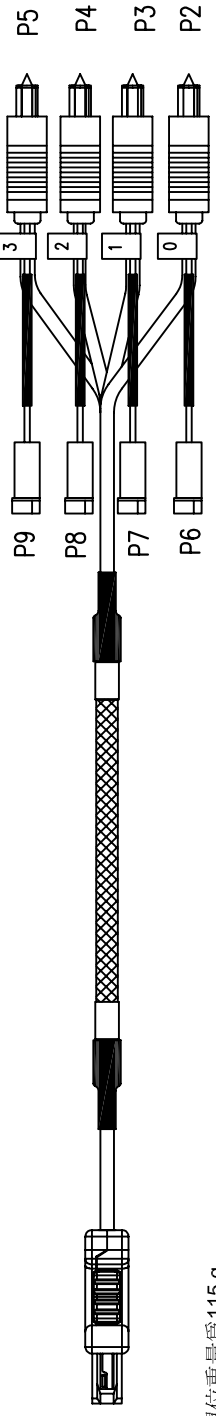
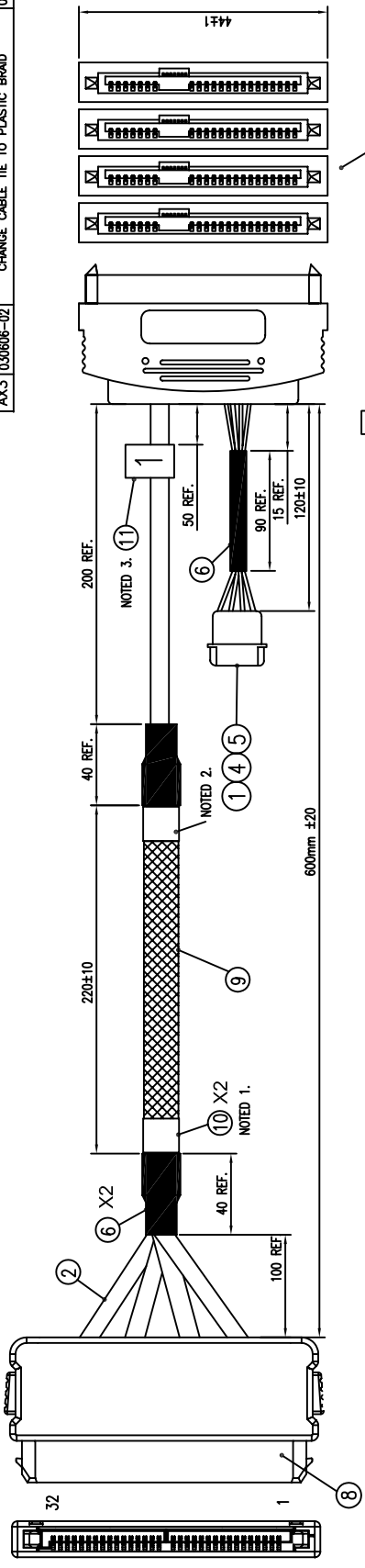


A B C D E

CUSTOMER DRAWING

REVISIONS			DATE	APPROVED
SYM	ECN No.	DESCRIPTION		
AX2	01606-01	Length Change to 600mm ADD Cable Tie.	01/18/2006	JOONA
AX3	030606-02	CHANGE CABLE TIE TO PLASTIC BRAID	04/12/2006	JOONA



6. 成品單位重量為115 g.
5. 每40PCS為一箱, 成品上下各放一個隔板, 每箱淨重 4.6 KG, 毛重5.2 KG
4. 每5PCS成品, 裝入一個PE袋中
3. THE LABEL JUST STICK ON THE SAS CABLE.
2. LABEL PRINTING : TO SAS/SATA HDD
- NOTE 1. LABEL PRINTING : TO SAS CARD/CONTROLLER

ITEM	PART NUMBER	DESCRIPTION	Q'TY
11	T91L-0020531-02	LABEL	4
10	T91L-0020531-01	LABEL	3
9	T734XXXXXXXXXX	PLASTIC BRAID	A/R
8	T504933228110N0	SAS CONNECTOR 32P	1
7		PVC, 45P, Cd/Pb-FREE (EN-71), BLACK	A/R
6	T732XXXXXX0XXXXX	HEAT TUBE	A/R
5	T812516220264	TERMINAL FOR POWER HOUSING	12
4	T50182510400164	POWER CONN., HOUSING, 4-POS., 5.08mm PITCH, TRANSPARENT WHITE	4
3	T5049C296331PR6	SAS CONN., 29-POS.+7-POS., FEMALE, BERTICAL	4
2	T60-11M-899	SERIAL ATA CABLE 4COND/#30*2PRs+SHIELDED)RED LEED FREE	A/R
1	T590723181XL7	WIRE, 18AWG, UL1007(PER REI HSG SPECIFICATION)	A/R

APPROVALS		DATE	TITLE	
DRAWN JOONA		04/12/2006	SAS CABLE ASSY	
CHECKED			SCALE N.A.	
APPROVED			SHEET 1 OF 2	
UNIT		MM	DRAWING NO.	
PART NUMBER		T107049320531	REV. AX3	
DESCRIPTION			CUSTOMER P/N.	

TC&C Electronics Co.,Ltd

熱封PE BAG



LDPE

ITEM-8 DETAIL

ITEM-10 LABEL ON BOTTOM SIDE