

# CUSTOMER DRAWING

SYM		EON No.		REVISIONS	
				DESCRIPTION	DATE
AX1					08/24/2005
				APPROVED	eric

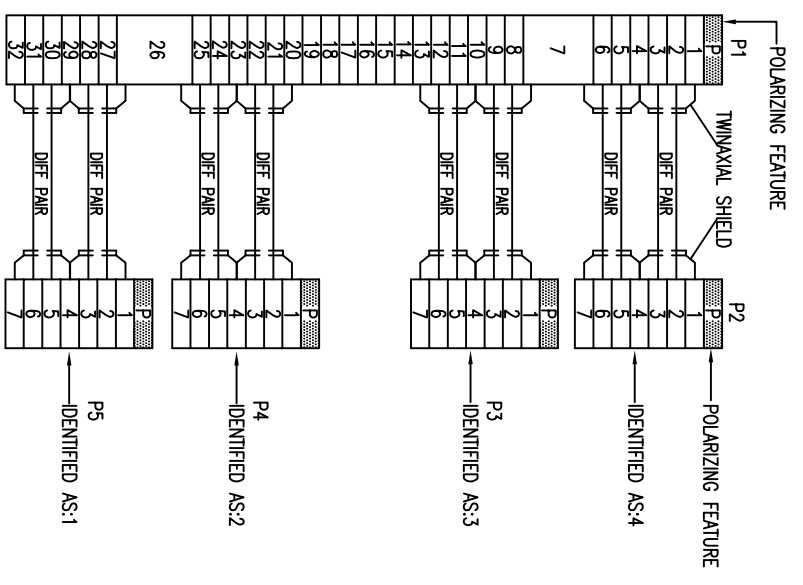
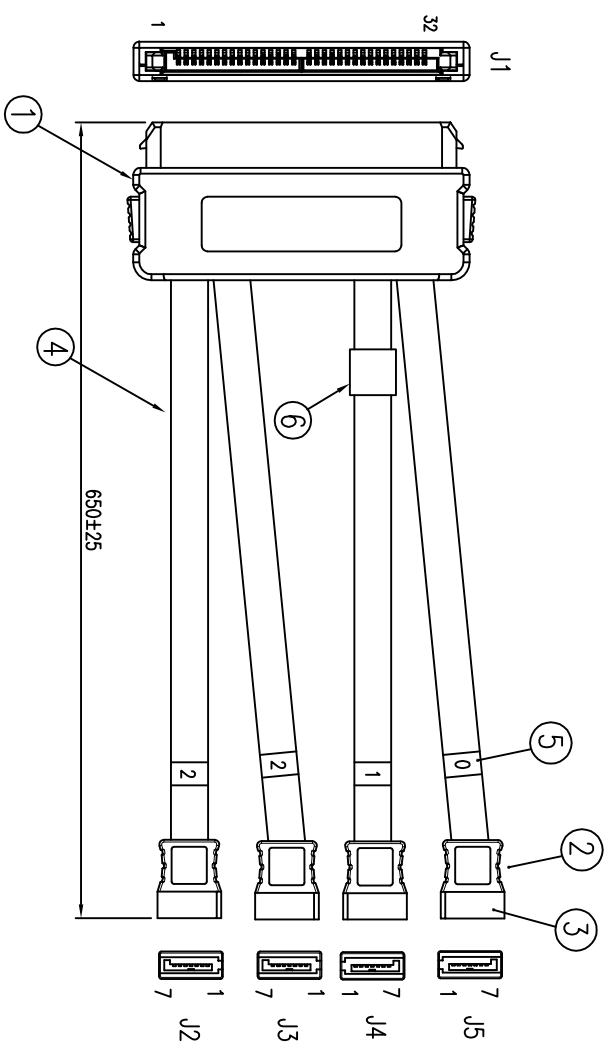


FIGURE 1  
WIRING DIAGRAM



6	BRADY DAT-37-292	LABEL PART NUMBER (OR UL EQUIV)	1	APPROVALS		DATE												
5	BRADY DAT-37-292	PORT IDENTIFIER LABEL (OR UL EQUIV)	A/R	DRAWN JEFF		08/12/2005												
4	AMPHENOL 150-3099-990	WIRE TWIN-AXIAL 2-PAIR SERIAL ATA 30AWG	A/R	CHECKED														
3	N/A	OVERMAD MATERIAL FOR ITEM 4	A/R	APPROVED														
2	11M-855	AMPHENOL G16A310001M																
1	TS0490321020000	AMPHENOL A579999-0001																
ITEM	PART NUMBER	DESCRIPTION	QTY															
<table border="1" style="width: 100%; border-collapse: collapse;"> <tr> <td colspan="2" style="text-align: center;"><b>TC&amp;C Electronics Co., Ltd</b></td> </tr> <tr> <td colspan="2" style="text-align: center;">INTERNAL CABLE ASS'Y SAS 32POS/F TO SERIAL ATA 7POS/F</td> </tr> <tr> <td style="width: 50%;">SCALE N.A.</td> <td style="width: 50%;">PART NO. T107049320516</td> </tr> <tr> <td>SHEET 1 OF 1</td> <td>DRAWING NO. T107049320516</td> </tr> <tr> <td>CUSTOMER PART NO.</td> <td></td> </tr> <tr> <td>REV. AX1</td> <td></td> </tr> </table>							<b>TC&amp;C Electronics Co., Ltd</b>		INTERNAL CABLE ASS'Y SAS 32POS/F TO SERIAL ATA 7POS/F		SCALE N.A.	PART NO. T107049320516	SHEET 1 OF 1	DRAWING NO. T107049320516	CUSTOMER PART NO.		REV. AX1	
<b>TC&amp;C Electronics Co., Ltd</b>																		
INTERNAL CABLE ASS'Y SAS 32POS/F TO SERIAL ATA 7POS/F																		
SCALE N.A.	PART NO. T107049320516																	
SHEET 1 OF 1	DRAWING NO. T107049320516																	
CUSTOMER PART NO.																		
REV. AX1																		