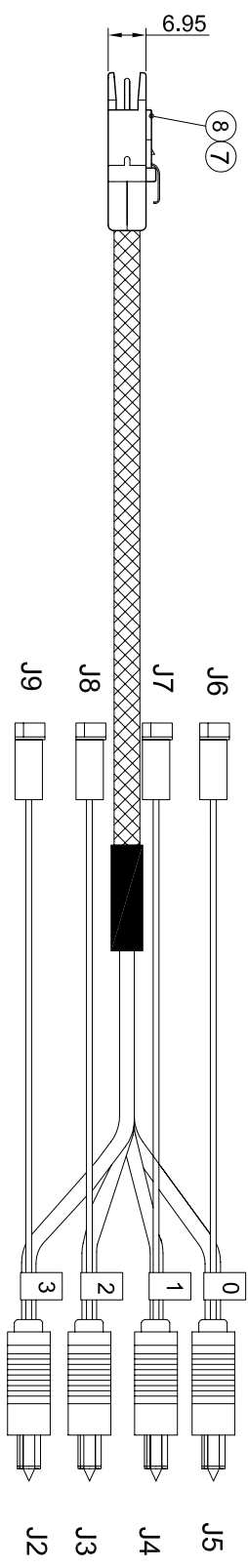
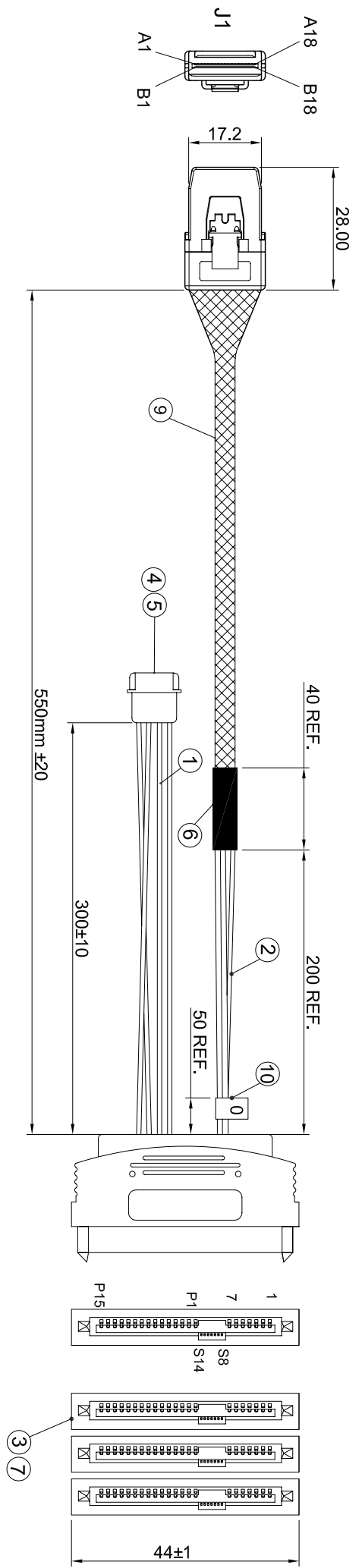


CUSTOMER DRAWING

REVISIONS		DATE	APPROVED
SYM	ECON No.	DESCRIPTION	11/27/2006 Joan
AX1			



10	T91L-XXXXXXXXXX	LABEL	4
9	T734XXXXXXXXXXXX	PLASTIC BRAID	1
8	T50A636XXXXXXXXXX	MINI SAS CONNECTOR KIT, WITH PCB	1
7	T700101020601XX	PVC BLACK 94V-0,ROHS 45P, FOR OVERMOLD CABLE	G
6	T732XXXXXXXXXXXX	H.S TUBE	1
5	T812516220264	TERMINAL FOR POWER HOUSING	16
4	T50182510400164	POWER CONN., HOUSING, 4-POS PH 5.08mm , TRANSPARENT WHITE	4
3	T5049C296331PR6	SAS CONN.,29-POS.+7-POS.+7-POS., FEMALE, BERTICAL	4
2		ROUND CABLE,SAS,1/30AWGX8P+MYLAR	A/R
1	T59072318XXL7	WIRE, 18AWG, UL1007,RED,YELLOW,BLACK	A/R
ITEM	PART NUMBER	DESCRIPTION	Q'TY

APPROVALS		DATE
DRAWN	Joan	11/27/2006
CHECKED	Rick	11/27/2006
APPROVED	Johnson Chen	11/27/2006

SCALE N.A.	PART NO.	DRAWING NO.	REV.
SHEET 1 OF 2	T1070A6360607	T1070A6360607-AX1	AX1

TITILE	
TC&C Electronic Co.,Ltd	MINI SAS 36P WITH METAL LOCK TO SAS 29P*4&PH 5.08*4 HOUSING